

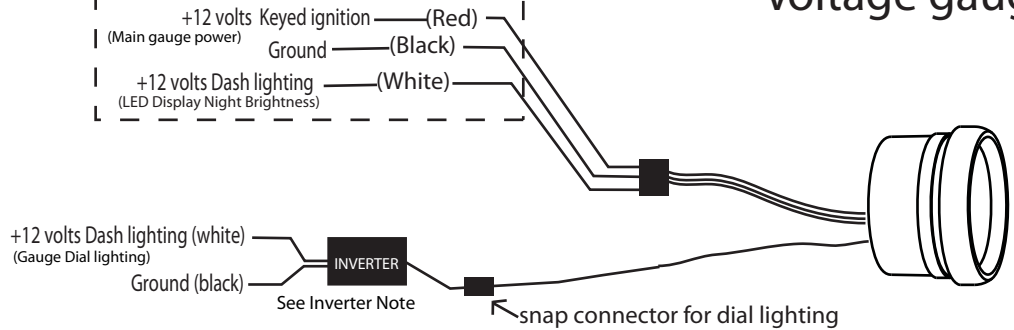
2-1/16" Revolution Digital Gauge Instructions (Easy Touch Bezel™)

Power Draw = 0.2 Amp
3A to 5A Inline Fuse Recommended
for +12 Keyed Ignition

Power distribution cable to plug all gauges into

3A to 5A

Voltage gauge



Note: Tie both lighting white wires together and both black ground wires together.

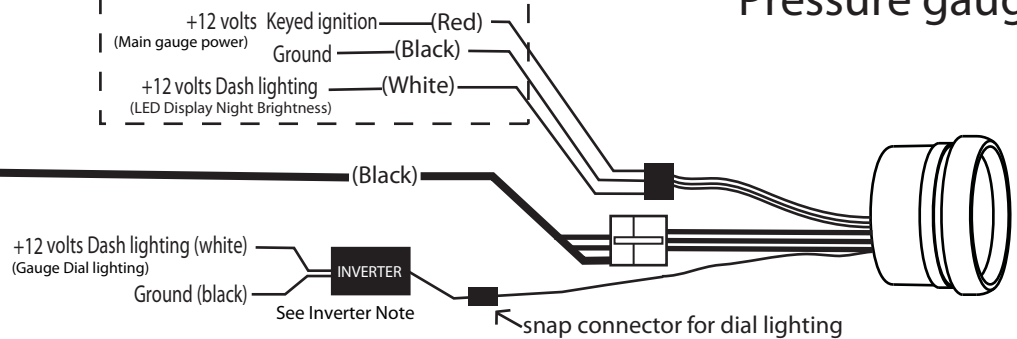
Power Draw = 0.2 Amp
3A to 5A Inline Fuse Recommended
for +12 Keyed Ignition

Power distribution cable to plug all gauges into

Pressure gauges

Harness Wires:
White wire - Signal
Black wire - Ground
Red wire - 5 volt reference

1/8 npt threads



Note: Tie both lighting white wires together and both black ground wires together.

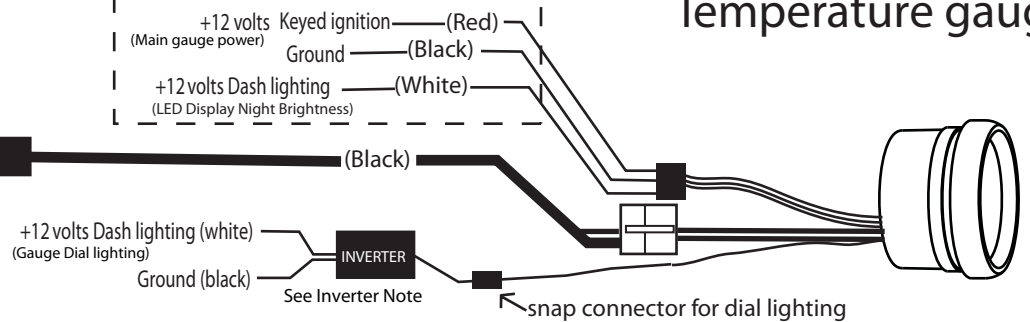
Power Draw = 0.2 Amp
3A to 5A Inline Fuse Recommended
for +12 Keyed Ignition

Power distribution cable to plug all gauges into

Temperature gauges

Harness Wires:
White wire - Signal
Black wire - Ground

Trimable area
DO NOT trim past the slot.
1/8 npt threads



Note: Tie both lighting white wires together and both black ground wires together.

Dial Lighting Inverter Note: Single EL dial lighting inverter included with individual gauge.
Multi-gauge EL dial inverter included with gauge set of 3 to 8 gauges.
Protect any unused connectors. Damage to an unused connector could cause inverter failure.

1. Disconnect negative (-) Battery Cable
2. Connect wiring as above.
3. Mount Gauge for easy viewing. Use spin lock ring (included) to mount to panel. Spin ring threads in both directions. Snap white connector to wire harness.
4. Reconnect negative (-) battery cable.

WARNING! - If you are installing the gauge on a conductive surface, make sure that the insulating O-ring is in place behind the bezel. Failure to do so will cause the Easy Touch Bezel™ to operate incorrectly. (The O-ring comes factory installed.)

If installing the gauge in a cup or pocket made of a conductive material then the Easy Touch Bezel™ will need to have a layer of insulating material between the bezel and cup or pocket.

WARRANTY - Speedhut Inc. warrants to the consumer for a period of 5 years from the date of purchase that this product will be free from defects in materials or workmanship. Speedhut warrants to the consumer for a "LIFE-TIME" that the product circuit board will be free from defects in materials or workmanship. This warranty is limited to the repair or replacement of Speedhut Inc products. Speedhut Inc is not responsible for special, incidental or consequential damages or costs incurred due to the failure of this product. Modification to the product, improper use or installation, accident, water damage, abuse, unauthorized repairs or alterations voids this warranty. Speedhut Inc disclaims any liability for consequential damages due to breach of any written or implied warranty on all products manufactured by Speedhut Inc.

Please contact Speedhut Customer Support if you have a problem with this product | support@speedhut.com | 801-221-1460 (9am - 5pm MST)

Setting the Warning Condition

LED Display can be set to flash a warning for both a low or high condition, or you can turn off both. (Temperature gauges only feature a High warning point, and the fuel level gauge only feature a Low warning point.)

1. To enter Warning Condition set mode, immediately after the LED Display turns on (but before it shows the current gauge reading), touch and hold the gauge bezel with your finger.
2. Next, the Display will show "SEt Lo. PLEt". The Display will then display the current Low warning point. Tap the bezel within 1 second intervals to progressively change the value. Wait 2 seconds between tapping to change the progression direction (increase or decrease the value). Do not touch the bezel for 5 seconds to set the warning condition, "SEt." will flash twice to indicate that the condition has been saved.
Note: "oFF", this option is used to turn off the warning condition feature.
3. Next, the Display will show "SEt Hi. PLEt". The Display will then display the current High warning point. Tap the bezel within 1 second intervals to progressively change the value. Wait 2 seconds between tapping to change the progression direction (increase or decrease the value). Do not touch the bezel for 5 seconds to set the warning condition, "SEt." will flash twice to indicate that the condition has been saved.
Note: "oFF", this option is used to turn off the warning condition feature.

Reset the warning condition at anytime by repeating these steps.

Note: Setting a low warning will flash the Display when it reads below the low set point. Likewise, when setting a high warning will flash the Display when it reads above the high set point.

Setting LED Display brightness both day and night.

1. With gauge power on, tap the bezel with your finger (The display will show "d ISPLRY" then "B.B.B").
2. Tap the bezel with your finger to change the Display to the desired brightness setting.
3. Do not touch the bezel for five seconds to save the brightness setting. The Display will flash "B.B.B" twice to indicate that the setting has been saved.
Note: Setting the brightness setting when the gauge lighting is ON, will set the night-time brightness setting. Setting the level when the gauge lighting is OFF will set the daytime brightness setting.

0-30 PSI Pressure Sender NOTE:

All pressure gauges that use the 0-30 psi sender may give an incorrect reading at "0". This may be caused by trapped air in the pressure sender. After connecting the wire harness to the sender, wiggle the wires at the sender connector to relieve the pressure.

How to Re-zero a Boost/Vac Gauge:

Due to variable tolerance of the 0-30psi pressure sender the Boost/Vac gauge may be off by "1" at "0". If this is happening to your Boost/Vac gauge you may need to Re-zero the gauge.

1. Turn on the gauge power but do not turn on vehicle's engine.
2. While gauge is powered up, touch and hold the bezel for 10-12 seconds until the gauge displays "PRUgE CL".
3. The gauge will then display "tOuch tO SEt".
4. Simply touch the bezel and the gauge will flash "SEt." twice and then show 0.
Note: The engine must be off while re-Zeroing the Boost/Vac gauge.

Error Messages:

- SEndEr Error** - This error indicates that there is no Sender/Sensor connected to the gauge or that there is a grounding issue with the Sender/Sensor.
- tOuch Error** - This error indicates that the Easy Touch Bezel™ is not properly insulated. This error also occurs if you are touching the bezel when the gauge is powered on.

Easy Touch Bezel™!

The Revolution Digital gauges feature a capacitive touch bezel. Just simply touch the bezel with your finger to access the gauge features.

