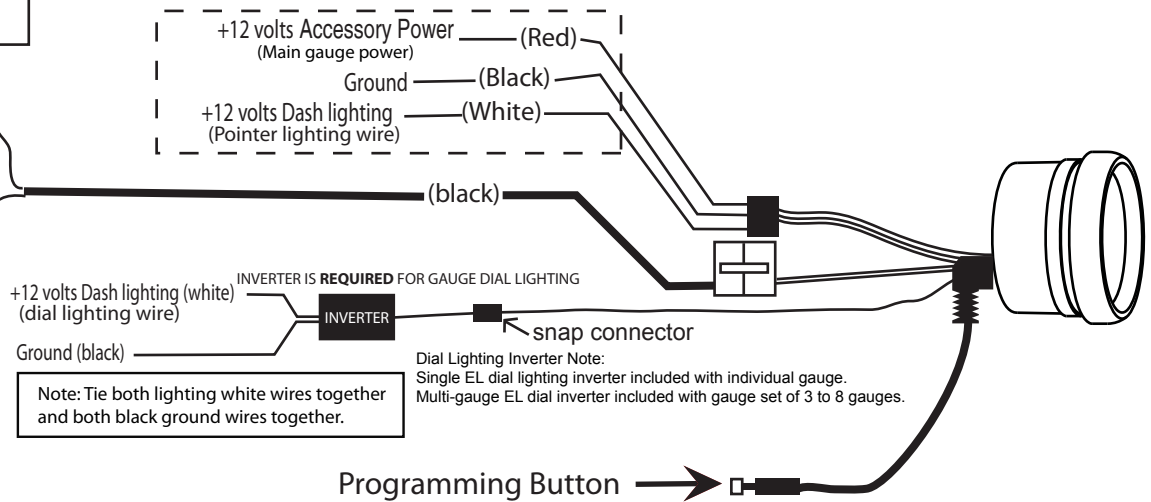


Power Draw = 0.2 Amp
3A to 5A Inline Fuse Recommended
for +12 Accessory Power

White wire speedometer
pulse signal. Acceptable
signals ranging from
5V-100Volts.
0-7500 htz frequency.

Black wire (optional)
sensor ground.
If your Sensor has a
ground terminal,
hook up to black wire.



Installation

1. Disconnect negative (-) Battery Cable
2. Connect wiring as above.
3. Mount Gauge for easy viewing. Use spin lock ring (included) to mount to panel.
4. Reconnect negative (-) battery cable.

Attention: CALIBRATION REQUIRED. The Speedometer will not operate correctly until it has been calibrated!

Calibration Procedure

Note: To ensure your safety during Calibration we suggest you have a passenger assist you while performing the speed calibration.

1. While vehicle is Parked, turn on gauge power and start engine.
2. Hold button down for 10-12 seconds. Until pointer (needle) swings to 1/2 scale.
3. Use button to toggle pointer up and down to the desired speed you would like to calibrate to.
Example: If you would like to calibrate your speed while driving 45 MPH, toggle button until it points right at 45 MPH.
4. Release the button. You will see the needle oscillate around the desired set point indicating it is ready to calibrate.
5. Start driving. When the vehicle reaches the exact calibration speed, hold speed constant. Have a passenger promptly press and hold button for 2-3 seconds.
6. Calibration is complete. Gauge should zero and then immediately move up to the current speed.

Note: If no accurate speed device is available, you can match the speed of your vehicle with a vehicle that is traveling at the calibration speed.

Peak Recall Operation

Plug peak recall button in back of GPS speedometer. Press and hold peak recall button down to recall peak.

To clear peak, release button while displaying peak and then immediately press and release button again for a to clear it.